



ROKMarine Architectural Systems
20646 N. Raphael Ave.
Prairie View, IL 60069

FOUNDATION PLAN
MICHAEL CHUNG
20646 N. RAPHAEL AVE.
PRAIRIE VIEW, IL 60069

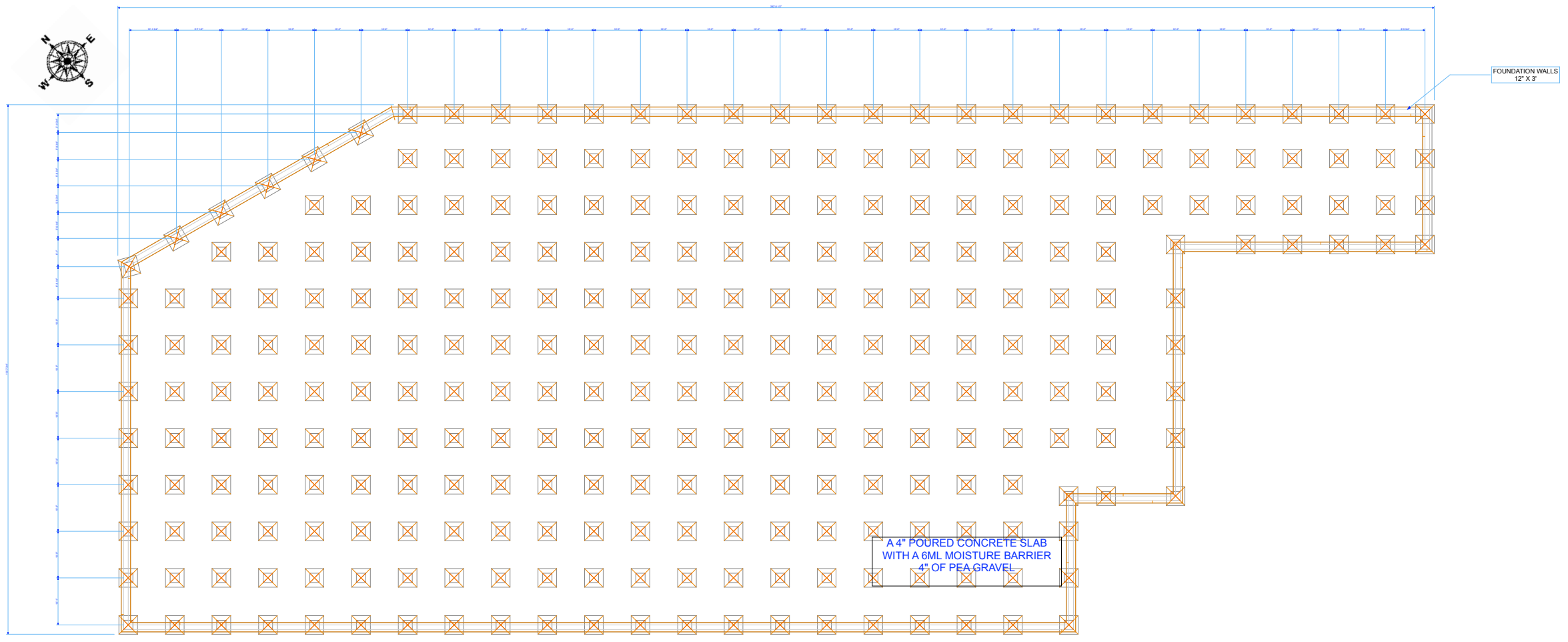
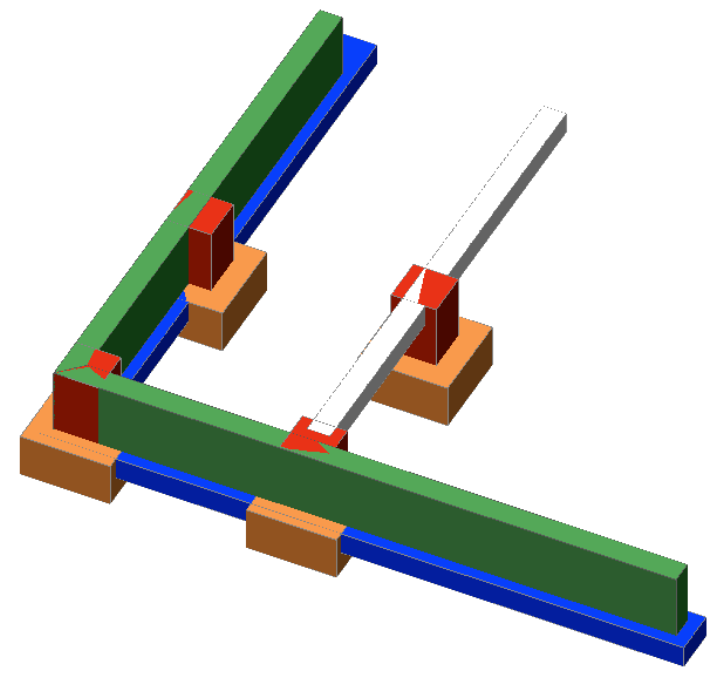
"PAGE 1 of 1"

"1/4"

JAN. 28, 2010

M. CHUNG

STEVENSON HIGH SCHOOL
TECHNOLOGY EDUCATION DEPARTMENT
TECHNICAL DRAWING PROGRAM
ADVANCED TECHNICAL DRAWING



A 4" POURED CONCRETE SLAB
WITH A 6ML MOISTURE BARRIER
4" OF PEA GRAVEL